



Malaysia

Electrolux Home Appliances Sdn Bhd (198801008304)

address: 7th Floor, Tower 2, PJ33,
No.3, Jalan Professor Khoo Kay Kim,
Seksyen 13, 46200 Petaling Jaya,
Selangor Darul Ehsan, Malaysia.

telephone: (+603) 7843 5999
fax: (+603) 7955 5511
website: electrolux.com.my
facebook: facebook.com/ElectroluxMalaysia
instagram: instagram.com/electroluxmy



CONSUMER CARE CENTRE

address: Lot C6, No. 28, Jalan 15/22,
Taman Perindustrian Tiong Nam,
Seksyen 15, 40200 Shah Alam,
Selangor Darul Ehsan, Malaysia.

hotline: 1300 88 1122
telephone: (+603) 5525 0800
fax: (+603) 5524 2521
e-mail: malaysia.customercare@electrolux.com



Dealer's Stamp

Version: 2021-04



Refrigeration

Confidence to create
great taste

Scan me





Our belief

We believe it's time for
a taste revolution.

By changing the way we source,
treat and eat food, we can
improve the effects on both our
health and our planet.
Even small changes in behavior
can make a big impact for
the better. Because few
things are more pleasurable than
sharing a delicious meal. That's
why we champion those who are
passionate about taste and want
to cook and enjoy more mindfully.

Swedish thinking.
Better living.

Refrigeration

Streamlined simplicity

A fridge should be a statement in your kitchen and Electrolux makes sure it's one of the most striking features in your kitchen. Ours are available in dark or natural stainless steel finishes for a seamless and elegant look.

Stylish and smart*

High quality, mark-resistant real stainless steel, now available in a new chic dark hue or classic bright stainless steel, lends a touch of class to any kitchen. Inside, the generous interior marries innovation and style in equal measure.

Power saver*

Electrolux continuously improve the energy of our appliances, raising the bar for product efficiency around the world.

Keep it cool*

The fridge door is one of the most opened in any household, which is why we came up with EvenTemp technology to help maintain the perfect temperature inside your fridge. It automatically detects when it needs to begin cooling, keeping the temperature down to lock the freshness in.

*Some features not available on all models.

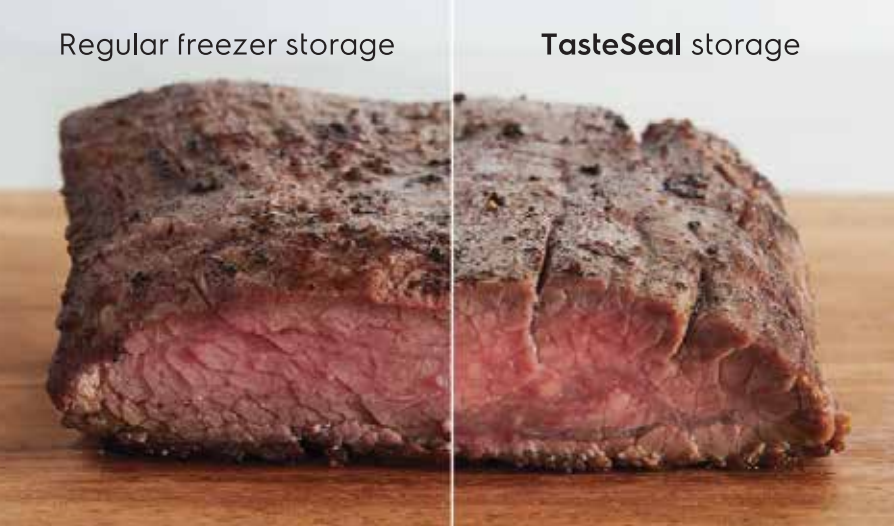


We protect food quality by delivering on the 3 key elements of preservation



Regular freezer storage

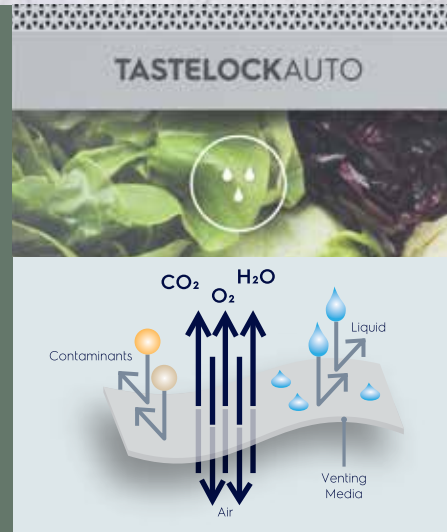
TasteSeal storage



Sealed environment

Tender meat and delicious seafood, always stored and cooked from fresh. The TasteSeal compartment maintains a consistent temperature of -2°C to keep your best ingredients in prime condition for up to 7 days* without freezing. This means that you can always cook from fresh to serve meat and seafood that is juicy in texture, bright in colour, and delicious in taste.

* Passed TUV Rheinland testing of microbiology plate count in salmon, chicken, and beef. Average weight loss <2% after 7 days. Sample tested EBB3702K.



Right humidity

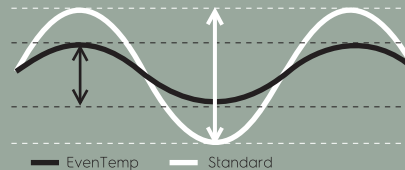
TasteLockAuto maintains a humid environment to keep fruits and vegetables fresh and bursting with flavour for up to 7 days.

This membrane is spun HDPE threads that are pressed to form a sheet which allows water vapor and gases to pass through



Stable temperature

EvenTemp keeps your food tasty for longer by minimising temperature fluctuations. By cooling each shelf individually, a consistent temperature is maintained throughout the entire compartment, preserving taste and texture for longer.





Multi-door features

Intuitive door design

With optimally split doors you have more usable space in your refrigerator door and can effortlessly reach for larger items, saving you the need to open both doors every time.

Fresh is best

Our innovative TasteLock crispers automatically control the humidity levels to keep your fruit and vegetables at their best for longer. While Easy-glide crisper drawers open effortlessly, even when they're full.

Thirst-quencher

Like a cool glass of pure, filtered water on cubed, or crushed ice? Your fridge is there to deliver, any time of the day or night – at the touch of a button. And you'll find the compact ice maker makes hot summer days or dinner parties a breeze.

Smart on space

The thoughtful Slide-back and Flip-up shelving means you can store that two-tiered birthday cake for the big moment, no problem.

SnackZone

The SnackZone is the ideal compartment for keeping those smaller ingredients separate for easy access such as fruit for your morning smoothie allowing you to be prepared before the week begins.

(Some features not available on all models.)



681L UltimateTaste 900
French Door Refrigerator

Overall dimensions

EHE6879A-B 681L

913W x 1782H x 746D (mm)

Features

- TasteSealFlex -23°C to 7°C
- TasteLockAuto
- TwinTech cooling
- WaterStream with Autolce
- Flip Up Shelf
- TasteGuard deodoriser
- QuickChill
- FlexStor



No More Compromises

The TasteSealFlex compartment easily adapts to your needs, giving you the freedom to store everything from fresh vegetables, to tender meat and fish, or cold drinks and ice-cream. You can always find the right space to keep your food fresh and full of flavour by choosing from a range of temperature settings from -23°C to +7°C.



648L UltimateTaste 900
French Door Refrigerator

Overall dimensions

905W x 1935H x 775D (mm)

Features

- TasteSealFlex -18°C to 7°C
- TasteLock
- EvenTemp
- Spacious freezer
- NutriFresh inverter
- QuickFreeze
- Door alarm

EQE6909A-B 648L



FlexFresh® Convertible Zone -18°C to +7°C

Allows you to find the right space that keep your food fresh and full of flavour



600L UltimateTaste 700
French Door Refrigerator

Overall dimensions

896W x 1725H x 782D (mm)

Features

- TasteLockPlus
- EvenTemp
- TasteGuard deodoriser
- Twist and Serve ice maker
- FlexStor
- NutriFresh inverter
- QuickFreeze

EQE6000A-B 600L

524L UltimateTaste 700 French Door Refrigerator

EHE5224B-A 524L



Overall dimensions

796W x 1725H x 769D (mm)

Features

- TasteLockPlus
- AutoIce
- EvenTemp
- ChillRoom
- TasteGuard deodoriser
- FlexStor
- NutriFresh inverter
- Door alarm



363L UltimateTaste 300 Three Door Refrigerator

EME3700H-A 363L



Overall dimensions

598W x 1855H x 650D (mm)

Features

- TasteSealPlus -12°C to 3°C
- EvenTemp
- TasteGuard deodoriser
- TasteLock
- Twist and Serve ice maker
- FlexStor
- NutriFresh inverter



646L UltimateTaste 700
Side by Side Refrigerator

ESE6645A-BMY 646L

Overall dimensions

911W x 1780H x 746D (mm)

Features

- TasteLock
- TasteGuard deodoriser
- WaterStream
- NutriFresh inverter
- EvenTemp
- Twist and Serve ice maker
- QuickChill
- QuickFreeze
- Door alarm

606L UltimateTaste 700
Side by Side Refrigerator

ESE6141A-BMY 606L

Overall dimensions

911W x 1780H x 706D (mm)

Features

- TasteLock
- TasteGuard deodoriser
- WaterStream
- NutriFresh inverter
- EvenTemp
- Twist and Serve ice maker
- QuickChill
- QuickFreeze
- Door alarm



606L UltimateTaste 700
Side by Side Refrigerator

ESE6101A-BMY 606L

Overall dimensions

911W x 1780H x 706D (mm)

Features

- TasteLock
- TasteGuard deodoriser
- NutriFresh inverter
- EvenTemp
- Twist and Serve ice maker
- QuickChill
- QuickFreeze
- Door alarm



Top & bottom mount features

Fresh is best

Our innovative TasteLock crispers automatically control the humidity levels to keep your fruit and vegetables at their best for longer. While Easy-glide crisper drawers open effortlessly, even when they're full.

Increase the chill

With a combination of Fast Ice and Boost mode you will always be prepared when entertaining. After a large shop, Boost Mode increases the chill rate of the refrigerator for 90 minutes whilst the Fast Ice function lowers the freezer to -23°C for 12 hours, before returning to their preset temperatures, to ensure your produce stays fresher longer.

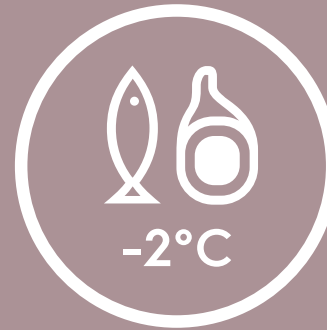
Keep it cool

The fridge door is one of the most opened in any household, which is why we came up with EvenTemp technology to help maintain the perfect temperature inside your fridge. It automatically detects when it needs to begin cooling, keeping the temperature down to lock the freshness in.

Designed just for you

Customise your fridge just the way you want it. FlexStor makes it simple to arrange the fridge to your needs with adjustable door bins and shelves. Different sized compartments effortlessly accommodate items big or small.

(Some features not available on all models.)



Fresh meat and fish, all week

Tender meat and delicious seafood, always stored and cooked from fresh. The TasteSeal compartment maintains a consistent temperature of -2°C to keep your best ingredients in prime condition for up to 7 days without deep freezing.



460L - 536L UltimateTaste 500 Top Freezer Refrigerator

- ETB5400B-A 536L ●
- ETB5400B-H 536L ●
- ETB4600B-A 460L ●



Overall dimensions

- 796W x 1725H x 723D (mm)
- 796W x 1725H x 723D (mm)
- 699W x 1725H x 723D (mm)



Features

- TasteLockPlus
- EvenTemp
- ChillRoom
- TasteGuard deodoriser
- FlexStor
- NutriFresh inverter
- Twist and Serve ice maker
- QuickChill

331L - 360L UltimateTaste 300 Top Freezer Refrigerator

- ETB3700K-A 360L ●
- ETB3400K-H 331L ●
- ETB3400K-A 331L ●



Overall dimensions

- 598W x 1755H x 650D (mm)
- 598W x 1645H x 650D (mm)
- 598W x 1645H x 650D (mm)



Features

- TasteSeal -2°C
- TasteLockAuto
- EvenTemp
- TasteGuard deodoriser
- TasteSeal metal tray
- Twist and Serve ice maker
- NutriFresh inverter

331L - 360L UltimateTaste 300 Top Freezer Refrigerator

- ETB3740K-H 360L ●
- ETB3440K-H 331L ●



Overall dimensions

- 598W x 1755H x 650D (mm)
- 598W x 1645H x 650D (mm)



Features

- TasteSeal -2°C
- TasteLockAuto
- WaterStream
- EvenTemp
- TasteGuard deodoriser
- TasteSeal metal tray
- Twist and Serve ice maker
- NutriFresh inverter

230L - 275L UltimateTaste 300 Top Freezer Refrigerator

- ETB2802J-A 275L ●
- ETB2502J-A 245L ●
- ETB2302J-A 230L ●



Overall dimensions

- 540W x 1605H x 615D (mm)
- 540W x 1470H x 615D (mm)
- 540W x 1405H x 615D (mm)



Features

- TasteSeal -2°C
- TasteLock
- EvenTemp
- TasteGuard deodoriser
- Twist and Serve ice maker
- NutriFresh inverter
- FlexStor

**453L UltimateTaste 500
Bottom Freezer Refrigerator**

EBE4500B-A 453L ●



Overall dimensions

699W x 1725H x 723D (mm)



Features

- TasteLockPlus
- EvenTemp
- Spacious freezer
- TasteGuard deodoriser
- FlexStor
- NutriFresh inverter
- Twist and Serve ice maker
- QuickFreeze

**360L UltimateTaste 300
Bottom Freezer Refrigerator**

EBB3742K-A 360L ●



Overall dimensions

598W x 1755H x 650D (mm)



Features

- TasteSeal -2°C
- TasteLockAuto
- WaterStream
- EvenTemp
- TasteGuard deodoriser
- TasteSeal metal tray
- Twist and Serve ice maker
- Spacious Freezer
- NutriFresh inverter

**360L UltimateTaste 300
Bottom Freezer Refrigerator**

EBB3702K-H 360L ●



Overall dimensions

598W x 1755H x 650D (mm)



Features

- TasteSeal -2°C
- TasteLockAuto
- EvenTemp
- TasteGuard deodoriser
- TasteSeal metal tray
- Twist and Serve ice maker
- Spacious Freezer
- NutriFresh inverter



Swedish thinking.
Better living.



top mount



ETB2302J-A ETB2502J-A ETB2802J-A ETB3400K-A ETB3400K-H ETB3440K-H ETB3700K-A ETB3740K-H ETB4600B-A ETB5400B-A ETB5400B-H

specifications												
gross capacity (litres)	230	245	275	331	331	331	360	360	460	536	536	
net capacity (litres)	210	225	256	312	312	312	341	341	431	503	503	
fridge / freezer (litres)	148 / 62	163 / 62	194 / 62	238 / 74	238 / 74	238 / 74	267 / 74	267 / 74	329 / 102	383 / 120	383 / 120	
door colour	arctic silver	arctic silver	arctic silver	arctic silver	high gloss black	high gloss black	arctic silver	high gloss black	arctic silver	arctic silver	high gloss black	
door alarm	yes	yes	yes	yes	yes	yes	yes	yes	yes	yes	yes	
refrigerant	R600a	R600a	R600a	R600a	R600a	R600a	R600a	R600a	R600a	R600a	R600a	
energy rating	5 star	5 star	5 star	5 star	5 star	5 star	5 star	5 star	4 star	4 star	4 star	
fridge features												
chiller	TasteSeal	TasteSeal	TasteSeal	TasteSeal with metal tray	TasteSeal with metal tray	TasteSeal with metal tray	TasteSeal with metal tray	TasteSeal with metal tray	TasteSeal with metal tray	Chill room	Chill room	Chill room
crisper	TasteLock	TasteLock	TasteLock	TasteLockAuto	TasteLockAuto	TasteLockAuto	TasteLockAuto	TasteLockAuto	TasteLockAuto	TasteLockPlus	TasteLockPlus	TasteLockPlus
cooling system	EvenTemp	EvenTemp	EvenTemp	EvenTemp	EvenTemp	EvenTemp	EvenTemp	EvenTemp	EvenTemp	EvenTemp	EvenTemp	EvenTemp
inverter compressor	yes	yes	yes	yes	yes	yes	yes	yes	yes	yes	yes	yes
water dispenser						4L tank		4L tank				
ice maker	Twist & serve	Twist & serve	Twist & serve	Twist & serve	Twist & serve	Twist & serve	Twist & serve	Twist & serve	Twist & serve	Twist & serve	Twist & serve	Twist & serve
tasteguard	yes	yes	yes	yes	yes	yes	yes	yes	yes	yes	yes	yes
flexstor	yes	yes	yes						yes	yes	yes	
others												
product dimension (mm)	540W x 1405H x 615D	540W x 1470H x 615D	540W x 1605H x 615D	598W x 1645H x 650D	598W x 1645H x 650D	598W x 1645H x 650D	598W x 1755H x 650D	598W x 1755H x 650D	699W x 1725H x 723D	796W x 1725H x 723D	796W x 1725H x 723D	

bottom mount



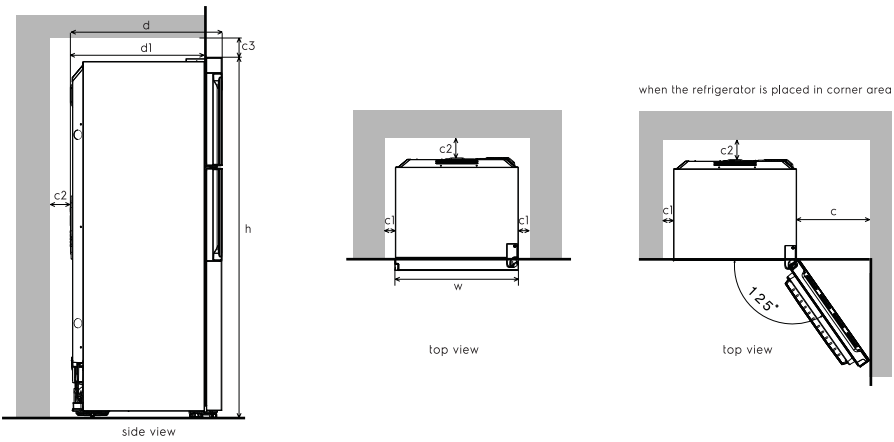
EBB3702K-H EBB3742K-A EBE4500A-B EME3700H-A EHE5224B-A EQE6000A-B EHE6879A-B EQE6909A-B ESE6101A-BMY ESE6141A-BMY ESE6645A-BMY

specifications											
gross capacity (litres)	360	360	453	363	524	600	680	648	606	606	646
net capacity (litres)	335	335	421	337	491	541	617	622	577	571	619
fridge / freezer (litres)	250 / 85	250 / 85	296 / 125	210 / 52 / 75	347 / 144		378 / 164 / 74	438 / 92 / 92	381 / 196	375 / 196	402 / 217
door colour	high gloss black	arctic silver	arctic silver	arctic silver	arctic silver	dark stainless steel	dark stainless steel	black (glass door)	mat black	mat black	black glass
door alarm	yes	yes	yes	yes	yes	yes	yes	yes	yes	yes	yes
refrigerant	R600a	R600a	R600a	R600a	R600a	R600a	R600a	R600a	R600a	R600a	R600a
energy rating	5 star	5 star	5 star								
fridge features											
chiller	TasteSeal	TasteSeal		TasteSealPlus	Chill room		TasteSealFlex	TasteSealFlex			
crisper	TasteLockAuto	TasteLockAuto	TasteLockPlus	TasteLock	TasteLockPlus	TasteLockPlus	TasteLockAuto	TasteLock	TasteLock	TasteLock	TasteLock
cooling system	EvenTemp	EvenTemp	EvenTemp	EvenTemp	EvenTemp	EvenTemp	TwinTech	TripleCooling	EvenTemp	EvenTemp	EvenTemp
inverter compressor	yes	yes	yes	yes	yes	yes	yes	yes	yes	yes	yes
water dispenser	-	4L tank					3L tank			2L tank	2L tank
ice maker	Twist & serve	Twist & serve	Twist & serve	Twist & serve	AutoIce	Twist & serve	AutoIce	Twist & serve	Twist & serve	Twist & serve	Twist & serve
tasteguard	yes	yes	yes	yes	yes	yes	yes	yes	yes	yes	yes
flexstor	yes	yes	yes	yes	yes	yes	yes	yes	yes	yes	yes
others											
product dimension (mm)	598W x 1755H x 650D	598W x 1755H x 650D	699W x 1725H x 723D	598W x 1855H x 650D	796W x 1725H x 769D	896W x 1725H x 782D	913W x 1782H x 746D	905W x 1935H x 775D	911W x 1780H x 706D	911W x 1780H x 706D	911W x 1780H x 746D

multi-door

side by side

Dimension



top mount

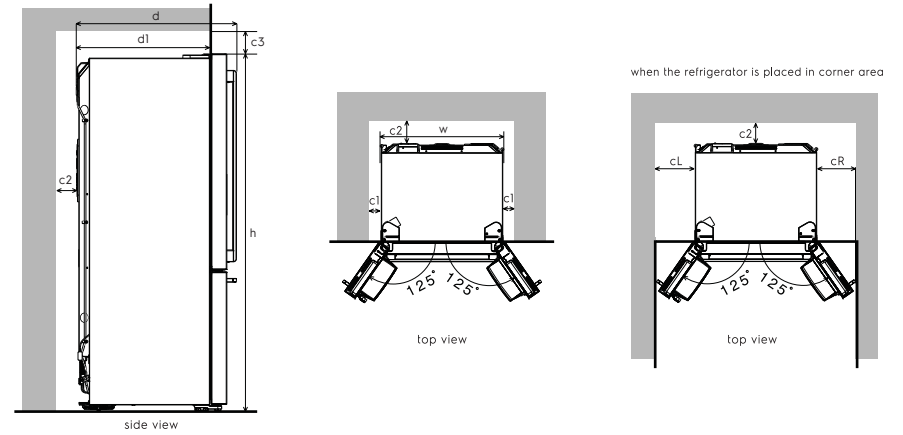
(in mm)	w	d	dl	h	c	c1	c2	c3
ETB2302J-A	540	615	540	1,405	350	30	50	90
ETB2502J-A	540	615	540	1,470	350	30	50	90
ETB2802J-A	540	615	540	1,605	350	30	50	90
ETB3400K-A / H	598	650	575	1,645	350	30	50	90
ETB3440K-H	598	650	575	1,645	350	30	50	90
ETB3700K-A	598	650	575	1,755	350	30	50	90
ETB3740K-H	598	650	575	1,755	350	30	50	90
ETB4600B-A	699	723	641	1,725	350	30	50	90
ETB5400B-A / H	796	723	641	1,725	350	30	50	90

bottom mount

(in mm)	w	d	dl	h	c	c1	c2	c3
EBB3702K-H	598	650	575	1,755	350	30	50	90
EBB3742K-H	598	650	575	1,755	350	30	50	90
EBE4500A-B	699	723	641	1,725	350	30	50	90

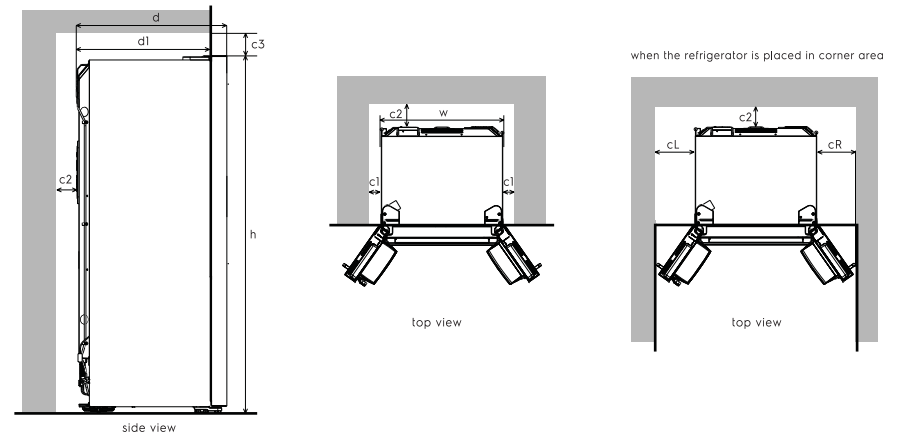
multi door

(in mm)	w	d	dl	h	c	c1	c2	c3
EME3700H-A	598	650	575	1,855	350	30	50	90



multi door

(in mm)	w	d	dl	h	cL	cR	c1	c2	c3
EHE5224B-A	796	769	641	1,725	350	350	30	50	90
EHE6879A-B	913	746	625	1,782	220	310	30	50	90
EQE6909A-B	905	775	675	1,935	350	350	30	50	90



side by side

(in mm)	w	d	dl	h	cL	cR	c1	c2	c3
ESE6101A-BMY	911	706	-	1,780	350	430	30	50	90
ESE6141A-BMY	911	706	-	1,780	350	430	30	50	90
ESE6645A-BMY	911	746	-	1,780	350	430	30	50	90